



CQ50L

Thermal Monocular

HIKMICRO CONDOR CQ50L thermal monocular is equipped with a $640 \times 512 @12 \mu\text{m}$ infrared detector and a 1024×768 OLED display. With less than 20 mK NETD, which represents high thermal sensitivity, it ensures perfect image quality and detail recognition even in the hardest weather conditions. Its 1000 m Laser rangefinder can accurately measure the distance when you are stalking or observing under low-light conditions. It can be applied mainly in forest hunting, birding, animal searching, adventuring, and recusing scenario.

Key Feature

- High sensitivity thermal module NETD < 20 mK (@25°C, F# = 1.0)
- 640×512 resolution with 12 μm detector
- 1024×768 resolution 0.39-inch OLED display
- Advanced image processing technology
- Image Pro for enhancing detail recognition
- Zoom Pro for digital zooming without loss of picture quality
- Replaceable and rechargeable Li-ion battery
- Up to 4 hours of continuous operation
- 450 g lightweight, with a compact and ergonomic design

Specification

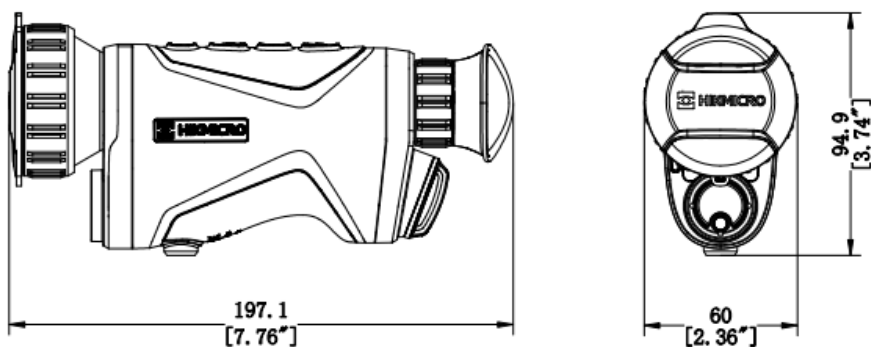
Thermal Module	
Image Sensor	VOx Uncooled Focal Plane Arrays
Max. Resolution	640 × 512
Frame Rate	50 Hz
Pixel Interval	12 μm
Response Waveband	8 μm to 14 μm
NETD	Less than 20 mK (@25°C), F# = 1.0
Lens (Focal Length)	50 mm, f1.0
Focus Mode	Focus Ring
Detection Range	2600 m
Min. Focusing Distance	5 m
Magnification	3.0× to 24.0× (8×)
Field of View(H × V), Degrees / m @100 m	8.7° × 7.0°/15.2 m × 12.2 m@100 m
Image Display	
Display	1024 × 768, 0.39 inch, OLED
Palettes	Black Hot, White Hot, Red Hot, Fusion
FFC (Flat Field Correction) Mode	Auto, Manual, External Correction
Exit Pupil	4 mm
Eye Relief	15 mm
Diopter (Range)	-5 D to +3 D
Brightness Adjustment	Yes
Tone Adjustment	Cold, Warm
Contrast Adjustment	Yes
Image Pro	Yes
Zoom Pro	Yes
System	
Record Video	Yes
Capture Snapshot	Yes
Audio Recording	Yes
Standby Mode	Yes
Storage	Built-in EMMC (64 GB)
PIP	Yes
Hotspot	Yes
Hot Track	Yes
Distance Measurement	Yes

Power Supply	
Battery Type	Replaceable and Rechargeable Li-ion Battery
Battery Operating Time	4-hour continuous running with CVBS and hotspot function off (@25°C, one provided battery) 6 hours of operation (LRF & hotspot on, @25°C, three provided batteries)
Type-C Power Supply	5 VDC, 2 A Supports External Power Supply
General	
Protection Level	IP67
Dimension	197.1 mm × 60 mm × 94.9 mm (7.76" × 2.36" × 3.74")
Weight	450 g without battery
Working Temperature	-30°C to +55°C
Laser Rangefinder	
Safety Class for Laser	Class 1
Wavelength	905 nm
Max. Measuring Range	1000 m
Measurement Accuracy	± 1 m
Min. Measuring Range	10 m

▪ Available Model

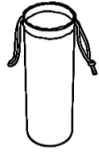
HM-TS66-50QG/WL-CQ50L

▪ Dimension

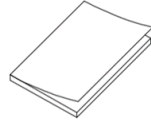


Unit: mm

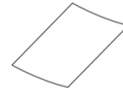
▪ Accessories



Protective Bag (x1)



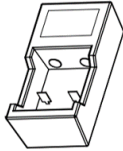
Quick Start Guide (x1)



Non-dust Cloth (x1)



USB Cable (x1)



Charger (x1)



Cell (x3)

COMPLIANCE NOTICE: The thermal series products might be subject to export controls in various countries or regions, including without limitation, the United States, European Union, United Kingdom and/or other member countries of the Wassenaar Arrangement. Please consult your professional legal or compliance expert or local government authorities for any necessary export license requirements if you intend to transfer, export, re-export the thermal series products between different countries.



HIKMICRO SIGHT



[f Hikmicro Hunting.Global](#) [y HIKMICRO Outdoor](#) [www.hikmicrotech.com](#) [ik hikmicro hunting.global](#) [in HIKMICRO](#) [info@hikmicrotech.com](#)

room 313, unit B, building 2, 399 danfeng road, xixing subdistrict, binjiang district, hangzhou, zhejiang
@hangzhou microimage software co., Ltd .2024 | data subject to change without notice!